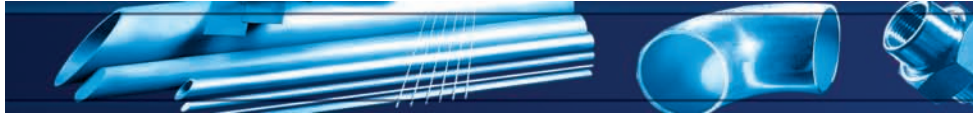


Technology



Materials



Electronics



BIBUS HOLDING®
■■■■ SUPPORTING YOUR SUCCESS

BIBUS HOLDING

TECHNOLOGY

BIBUS AG (CH)

BIBUS s.r.o. (CZ)

BIBUS SK s.r.o. (SK)

BIBUS MENOS Sp. z o.o. (PL)

BIBUS GmbH (DE)

BIBUS Zagreb d.o.o. (HR)

BIBUS AUSTRIA (AT)

BIBUS (UK) Ltd. (UK)

BIBUS Kft (HU)

BIBUS France S.A.S. (FR)

INOTEH d.o.o. (SI)

BIBUS Ukraine TOV (UA)

BIBUS o.o.o. (RU)

BIBUS SES SRL (RO)

BIBUS (BY) COOO (BY)

A/S SINDBY & Co. (DK)

BIBUS Bulgaria Ltd. (BG)

BIBUS EUROFLUID SRL (RO)

BIBUS SPAIN, S.L. (ES)

BIBUS Portugal, Lda (PT)

BIBUS Shanghai Mec., Ltd (CN)

BIBUS Otomasyon Ltd. Sti. (TR)

BIBUS doo (BA)

BIBUS VIETNAM Co., Ltd. (VN)

BIBUS THAILAND Company Ltd (TH)

CNS Universal Company Ltd (TH)

BIBUS Horizon Ltd (IN)

BIBUS Malaysia Sdn. Bhd. (MY)

BIBUS Baltics SIA (LV)

BIBUS HYDRAULIK AG (CH)

BIBUS Italia Srl (IT)

SAUER BIBUS GmbH (DE)

WESER-PUMPEN GmbH (DE)

MATERIALS

SAUTER EDELSTAHL AG (CH)

SAUTER EDELSTAHL (DE)
(Sales office)

BIBUS METALS AG (CH)

BIBUS METALS Austria (AT)
(Sales office)

BIBUS METALS Sp. z o.o. (PL)

BIBUS METALS Kft (HU)

BIBUS METALS S.R.L. (RO)

BIBUS METALS Ltd. (UK)

BIBUS METALS TOV (UA)

BIBUS METALS o.o.o. (RU)

BIBUS METALS Ltd. (HK)

BIBUS METALS (Shenzhen) Ltd. (CN)

BIBUS METALS s.r.o. (CZ)

BIBUS METALS GmbH (DE)

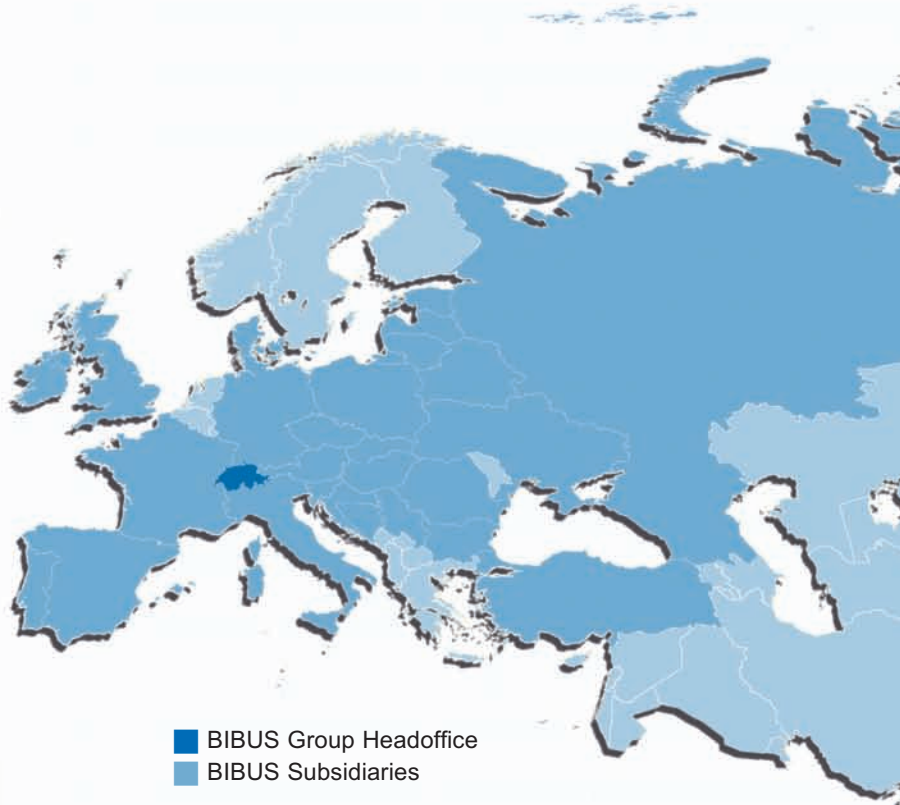
BIBUS METALS France (FR)
(Sales office)

ELECTRONICS

MPL AG (CH)

ELSOFT (CH)

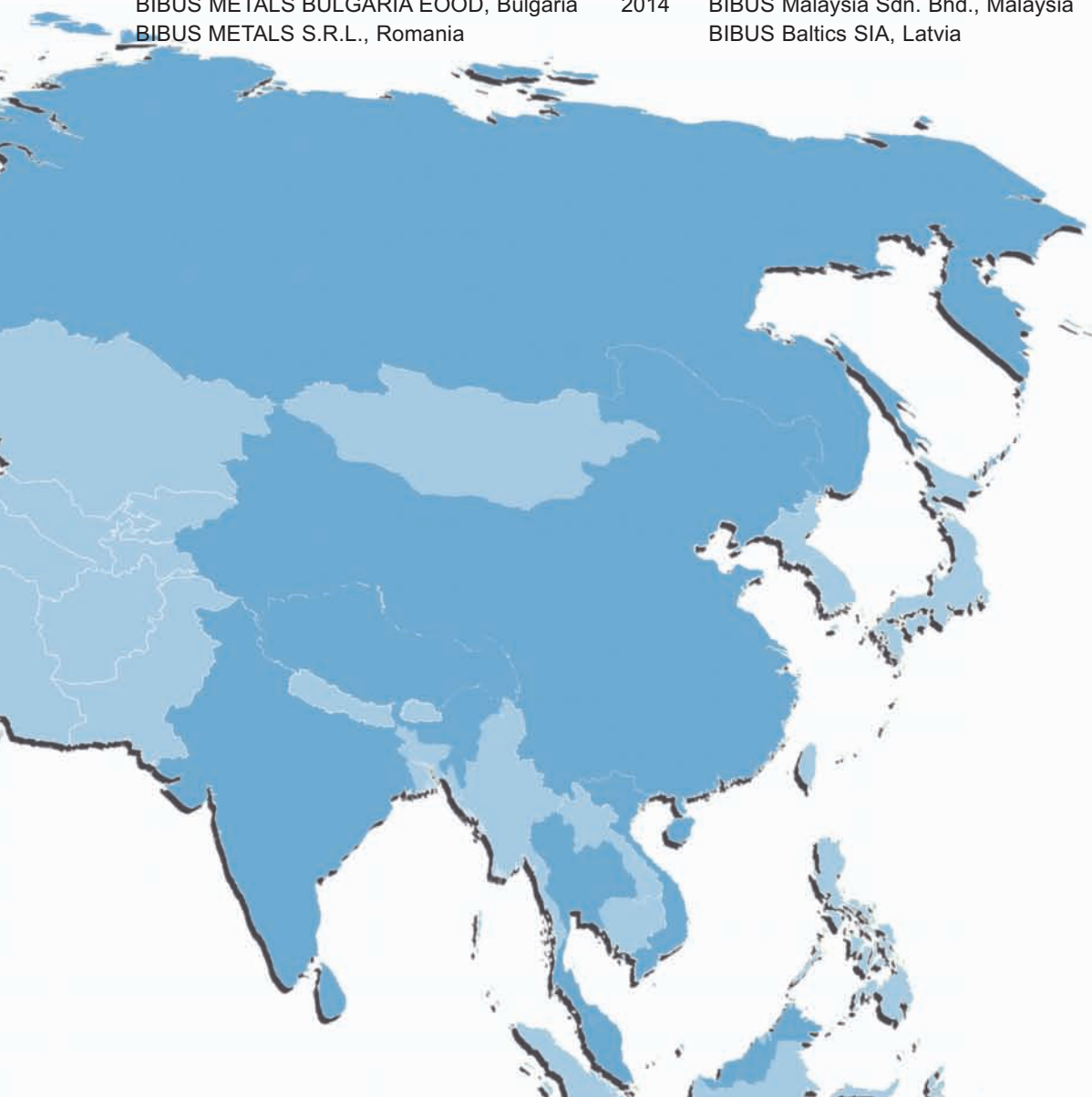
MPI Distribution AG (CH)



■ BIBUS Group Headoffice
■ BIBUS Subsidiaries

Milestones

Participating interests, acquisitions and foundations of subsidiaries	2005	BIBUS Ukraine TOV, Ukraine BIBUS o.o.o., Russia BIBUS METALS TOV, Ukraine
1947 BIBUS AG, Switzerland	2006	BIBUS SES SRL, Romania
1976 BIBUS HYDRAULIK AG, Switzerland	2007	A/S H. SINDBY & Co., Denmark BIBUS (BY) COOO, Belarus BIBUS Bulgaria Ltd., Bulgaria BIBUS Vietnam Co., Ltd., Vietnam
1977 SAUTER EDELSTAHL AG, Switzerland	2008	BIBUS METALS Ltd., Hong Kong BIBUS METALS o.o.o., Russia BIBUS Eurofluid SRL, Romania
1979 BIBUS METALS AG, Switzerland	2009	BIBUS SPAIN, S.L., Spain BIBUS Portugal, Lda, Portugal
1990 BIBUS METALS GmbH, Germany MPL AG, Switzerland ELSOFT AG, Switzerland	2010	BIBUS Shanghai Mec., Ltd., China WESER-PUMPEN GmbH, Germany BIBUS METALS (Shenzhen) Ltd., China
1992 BIBUS s.r.o., Czech Republic MPI Distribution AG, Switzerland	2011	BIBUS METALS s.r.o., Czech Republic BIBUS METALS Ltd., Great Britain BIBUS Otomasyon Ltd. Sti., Turkey
1994 SAUER BIBUS GmbH, Germany	2012	BIBUS Horizon Ltd, India BIBUS doo, Bosnia
1997 BIBUS GmbH, Germany BIBUS Zagreb d.o.o., Croatia	2013	BIBUS THAILAND Company Ltd, Thailand CNS Universal Company Ltd, Thailand BIBUS ITALIA Srl, Italy
1999 BIBUS MENOS Sp. z o.o., Poland BIBUS SK s.r.o., Slovakia	2014	BIBUS Malaysia Sdn. Bhd., Malaysia BIBUS Baltics SIA, Latvia
2000 BIBUS Austria GmbH, Austria BIBUS (UK) Ltd., Great Britain BIBUS METALS Sp. z o.o., Poland BIBUS Kft, Hungary		
2001 BIBUS France S.A.S., France BIBUS METALS Kft, Hungary		
2004 INOTEH d.o.o., Slovenia BIBUS METALS BULGARIA EOOD, Bulgaria BIBUS METALS S.R.L., Romania		



BIBUS HOLDING

Network of expertise – partners for technology, materials and electronics

**We are a leading company
in our core activities
and offer our customers
high quality products
and services.**

**The keys to our success are
the network of expertise
and the skills of
our employees.**

Supporting Your Success

Together with our partners, managers and employees, we have continued to build on the foundation laid by Dipl. Ing. Hans Bibus in 1947 and already further expanded and developed by his son Felix Bibus.

From being exclusively a steel trader, without its own warehouse, the individual company has developed over the decades more and more in the direction of its current three business segments: technology, materials and electronics. The same core competencies are pursued in all three segments: engineering, logistics and services – to differing degrees depending on the business segment.

The value added that we produce for our customers, the tasks that we fulfil for our customers, has fundamentally changed over the decades, always focused on covering the perceived changing needs with appropriate services – internationally. International progress in the area of communications and the associated “general” knowledge of foreign procurement sources have triggered and promoted the first steps for further development, towards new, company-specific expertise. Pure steel trading was slowly replaced by the addition of new technological products requiring explanation or engineering. The step from the individual company to a corporate group was complete.

The Swiss market alone proved to be too small over the years of successful growth. The removal of borders in Europe promoted the strategy for growth beyond the borders of Switzerland and as far as Asia. The simultaneous internationalisation of the activities of our formerly exclusively Swiss customers and their support also at other locations supported its implementation. Care of existing customers and the acquisition of new customers and partners in new markets shape the activities of our subsidiaries also outside Switzerland: extend established, proven relationship and supplement with new one – on the side of the customer and on the side of the delivery partners.

The product range is not the same in each of the subsidiaries – but each one offers the same services as core competencies: engineering, logistics, services – and each of the companies has access to the know-how and resources of the whole group. For the customers, the delivery partners and for the employees, this is a concept which has led and will in the future lead to long-term, successful partnerships.

Christian Bibus

Conrad M. Ulrich-Bibus

Technology



Mechatronics and hydraulic technology for the machine and automotive industry

Over 60 years of experience

in the fields of hydraulics,

pneumatics, motion

technology, mechanical

components and systems.

Core competencies in the

development and manufacture of

assemblies, hydraulic systems

and units as well as

in the development and

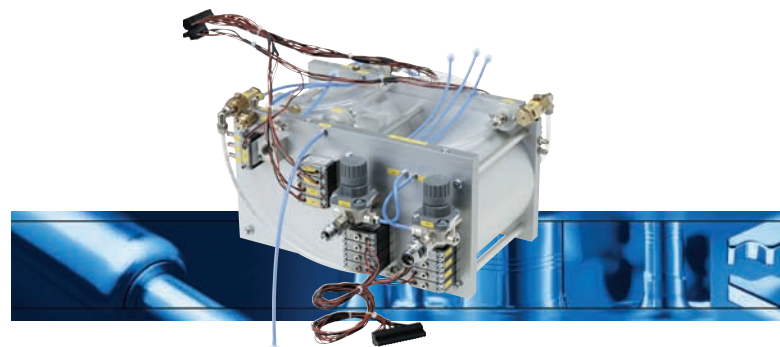
packaging of

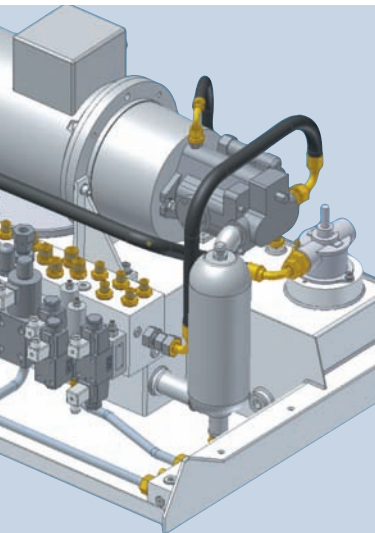
special components.

BIBUS AG and its subsidiaries as well as BIBUS HYDRAULIK AG and SAUER BIBUS GmbH are companies with more than 60 years of experience in the fields of pneumatics, machine elements, electrical engineering/electronics, automation and hydraulics. They sell components of renowned manufacturers and produce systems. As technically qualified trading companies, they offer expert advice and deliver the right products of the required quality on the agreed delivery date at a fair market price.

The customer-centred in-house sales support and broad stock-keeping guarantee fast order processing. The companies of the BIBUS group in the technology segment are ideally equipped for the development and production as well as for the packaging of special components.

The technology segment has core competencies in custom plant and assembly construction – from the prototype to series production – as well as in the development and assembly of complete assemblies and drive systems for stationary and mobile applications. State-of-the-art test benches enable simulations, series and individual tests of components and complete systems.





**Pneumatics
Hydraulics**

Logistics
Hydraulic and pneumatic components from stock

Engineering
Planning, development, production and commissioning of hydraulic and pneumatic drive and control systems as well as plants. Development and production of special products, assembly of components, assembly construction

Service
Upkeep, service and repair of hydraulic products. Testing and inspection of components and complete systems, commissioning and training

Mechatronics

Motors, gears, controls, couplings, guideways and taper keys torque transmission from stock

Design and assembly of electro-mechanical drives, manufacture of special products

Maintenance, repair and service, spare parts management

Sensors and switches, safety technology and automation components

Planning, design and construction of systems and plants for automation of processes, safety and monitoring systems

Maintenance, repair and service, spare parts management, packaging of components ready for assembly

Environmental technology

Feed pumps for liquid and gaseous media, accessories for waste water technology

Planning and development of systems and plants

Maintenance, repair and service, spare parts management



Materials



Materials and metallurgic products for various areas of applications

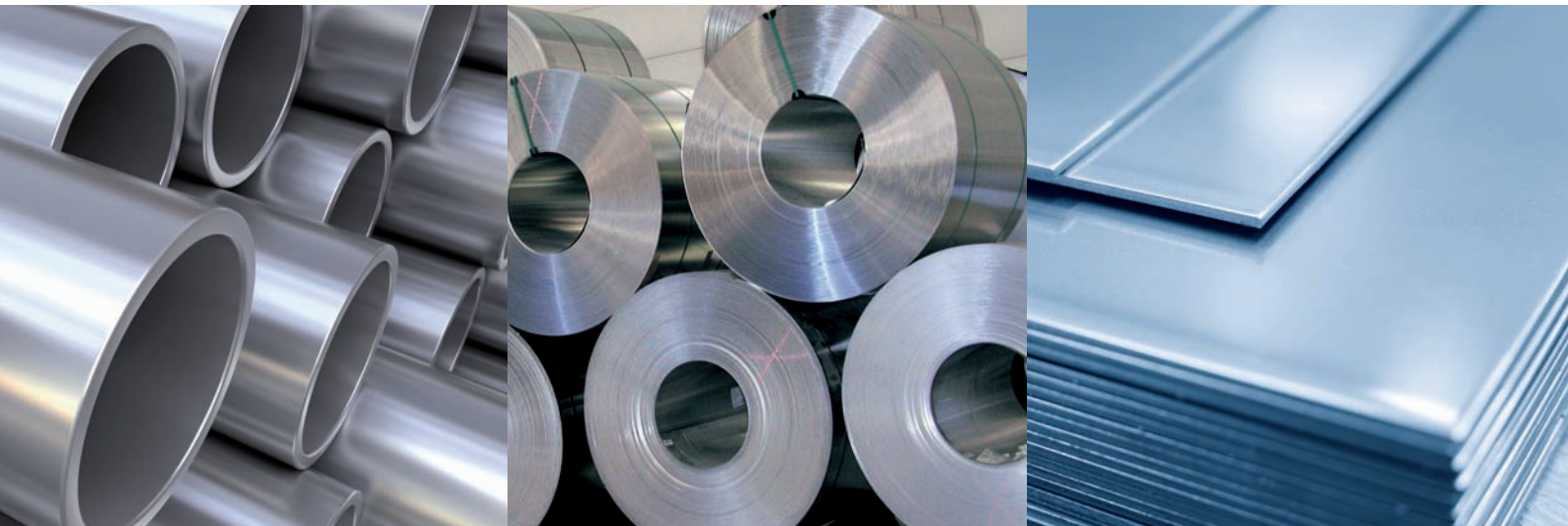
***The cultivation of long-term
partnerships with our customers
is the benchmark for our
day-to-day work.***

***Over 100 employees in the
Materials group are committed
to meeting individual needs and
providing reliable logistics
solutions and services.***

The BIBUS companies in the Materials group, SAUTER EDELSTAHL and BIBUS METALS and their subsidiaries, are international commercial enterprises. They serve the mechanical engineering and aerospace industries, the metalworking industry, construction and related trades, the chemical and food industry, medical technology, electronics and electrical engineering, environmental, gas and water management as well as the petroleum industry.

A comprehensive range of high quality products with professional, individual support as well as efficient logistics and warehousing are the bases for optimum market solutions in the interests of the customers. By commissioning the cut-to-length line, the company positions itself as a service centre. With this additional service, we can better meet the requirements of our customers for fixed formats. The cornerstones of this are diversity, experience and flexibility. Synergies are bundled to sustainably strengthen the long-term competitiveness of partners: Supporting Your Success.





SAUTER EDELSTAHL
Stainless high-grade steels
Aluminium
Fittings
Food fittings

Products
 Over 5,000 tonnes of aluminium and high-grade stainless steels – coils, sheets, tubes, bar steel, fittings and food fittings – in a wide range of qualities and designs, special profiles in stainless steel and aluminium alloys. Fixed formats in aluminium/stainless steel from cut-to-length line for formats of thickness 0.5 - 5 mm and max. width of 2000 mm

Logistics
 State-of-the-art steel/metals logistics centre on an area of approx. 15,000 m² with an integrated service centre. Customer orders are produced daily with fully automatic warehouse systems and delivered just-in-time with an efficient delivery service. Call-off orders and storage at the customer's request

Service
 Fixed formats from our own cut-to-length line, cut-to-size with shears, restamping, certification, coating, grinding, brushing and polishing; comprehensive sawmill for precision and mitre cuts; special profiles as per customer's drawing

BIBUS METALS
Titanium and nickel alloys
Zirconium
Tantalum
Welding material
Centrifugal casting
Duplex steels

Warehousing of over 600 tonnes of nickel alloys and titanium. Semi-finished products in the form of sheets/plates, strips, bars, tubes/pipes and fittings as well as welding materials

Production of components according to customers' drawings, welded constructions, turned parts and forged parts, compilation of complete packages for projects

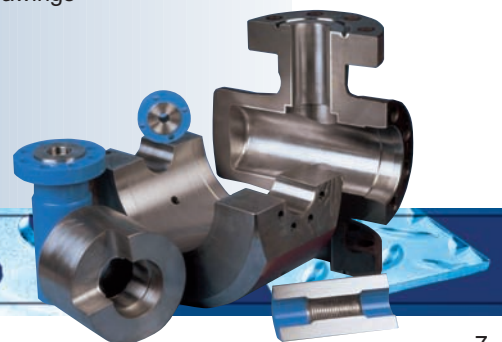
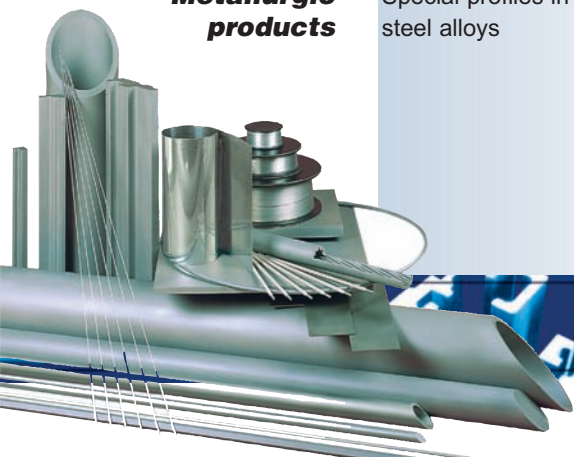
Cutting service, shearing, sawing, cutting by plasma/laser, cutting by water jet, forging, heat treatment, re-stamping

Metallurgic products

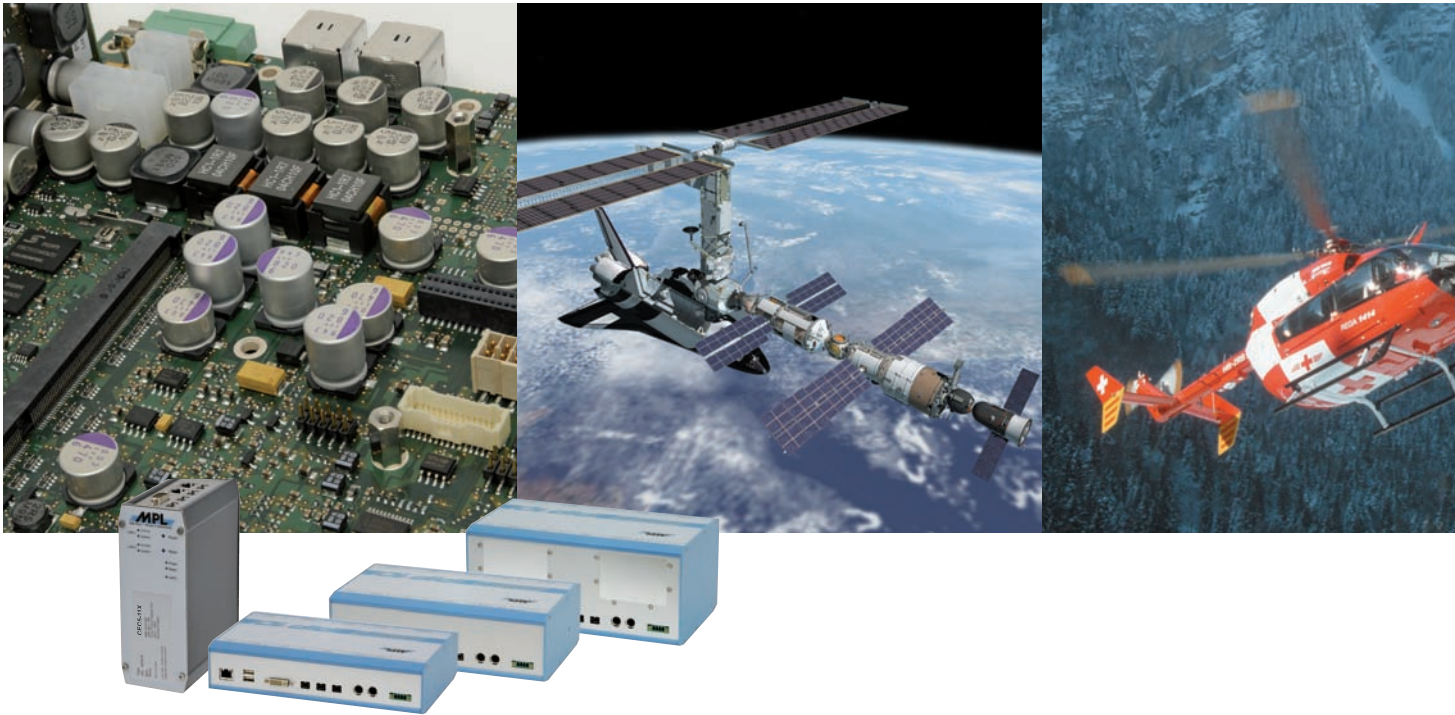
Special profiles in various steel alloys

Call-off orders, warehousing

Special profiles according to our own and customers' drawings



Electronics



Industrial computers and electronics for highest quality requirements

***We strive to be your partner,
to establish your requirements,
to understand them and then
to implement them in an
innovative and integrated
solution which increases your
effectiveness. Our success is
based on the development and
sale of electronics which are
centred on the needs of industry.***

MPL AG develops and produces high quality industrial PCs and systems based on the needs of industry, which are used worldwide. The success story of the company is based on the concept: minimum power consumption, an extended temperature range and a robust design. The solutions are innovative, with guaranteed long-term availability, without fans and therefore low maintenance and unique.

Due to the high quality, the products and solutions which have proven themselves a thousand times over are frequently used in the harshest industrial environments – but also in medical, transport and marine technology, in aeronautics, space and defence technology – wherever a really reliable product is needed.

MPI Distribution AG is a trading company in the fields of electronic components and industrial PCs. It sells systems and components of MPL AG as well as of renowned foreign manufacturers. As a technically qualified trading company, the firm offers expert consulting and delivers the right products of the required quality on the agreed delivery date at a fair market price. The customer-centred in-house sales support and broad stock-keeping guarantee fast order processing.

Elsoft AG specialises in the development of drivers, support and adaptation of real-time operating systems, BIOS, LINUX and Windows operating systems, the integration of network technologies and the design of websites.





Industrial computer electronics and systems

Logistics

Robust industrial computers, PCs and systems with Intel, PowerPC and ARM processors, unique peripherals for industrial applications, industrial single board computer solutions, IP65 fan-less panel PC solutions in aluminium and stainless steel

Engineering

Development of standard products for use under difficult conditions, semi-custom products and solutions adapted to customers' requirements. Hardware and software development for custom solutions, know-how in analogue and digital designs, low-power and DSP designs, VHDL & ASIC developments. OEM and complete system solutions

Service

Commissioning, training, repairs

Electronic components, displays and computer systems

Active electronic components and displays, industrial computers and systems. Comprehensive stockkeeping

Consulting and projecting, custom solutions in the areas of solid state relay assemblies, computer boards and peripherals and LCD displays, production, assembly of components, configuration and tests of industrial computers

Commissioning, spare parts management

Software

Sale of drivers and operating systems

Consulting and support, implementation as well as development of complete software solutions

Web design, software support



Technology

Switzerland

BIBUS AG
Allmendstrasse 26
8320 FEHRALTORF
Phone +41 44 877 50 11
Fax +41 44 877 50 19
E-Mail: info.bag@bibus.ch
www.bibus.ch

BIBUS HYDRAULIK AG
Allmendstrasse 26
8320 FEHRALTORF
Phone +41 44 877 52 11
Fax +41 44 877 52 19
E-Mail: bibushydraulik@bibus.ch
www.bibushydraulik.ch

Austria

BIBUS Austria GmbH
Eduard Klinger-Strasse 12
3423 ST. ANDRÄ-WÖRDERN
Phone +43 2242 33 388
Fax +43 2242 33 388 10
E-Mail: info@bibus.at
www.bibus.at

Belarus

BIBUS (BY) COOO
8th Per. Ilyicha 13a, office 2.1
246013 GOMEL
Phone +375 232 39 09 10
Fax +375 232 39 59 02
E-Mail: info@bibus.by
www.bibus.by

Bosnia

BIBUS doo
Karadordeva bb
BA 76311 DVOROVI - BIJELJINA
Phone +387 55 423 444
Fax +387 55 423 444
E-Mail: info@bibus.ba
www.bibus.ba

Bulgaria

BIBUS Bulgaria Ltd.
2 Blvd. Prof. Tzvetan Lazarov
Floor 2
1574 SOFIA
Phone +359 2 971 98 08
Fax +359 2 927 32 64
E-Mail: info@bibus.bg
www.bibus.bg

China

BIBUS Shanghai Mec., Ltd.
Block 4, 160 Xuanchun Road
Xuanqiao Town
Pudong New Area
201300 SHANGHAI
Phone +86 21 5803 9270
Fax +86 21 5803 9272
E-Mail: info@bibuschina.cn
www.bibuschina.cn

Croatia

BIBUS Zagreb d.o.o.
Anina 91
HR-10000 ZAGREB
Phone +385 1 381 80 04
Fax +385 1 381 80 05
E-Mail: bibus@bibus.hr
www.bibus.hr

Czech Republic

BIBUS s.r.o.
Videnska 125
639 27 BRNO
Phone +420 547 125 300
Fax +420 547 125 310
E-Mail: bibus@bibus.cz
www.bibus.cz

Denmark

A/S H. SINDBY & Co.
Edisonvej 11
7100 VEJLE
Phone +45 75 88 21 22
Fax +45 75 88 22 40
E-Mail: sindby@sindby.dk
www.sindby.dk

France

BIBUS France S.A.S.
ZI du Chapotin
233, rue des Frères Voisin
69970 CHAPONNAY
Phone +33 4 7896 80 00
Fax +33 4 7896 80 01
E-Mail: contact@bibusfrance.fr
www.bibusfrance.fr

Germany

BIBUS GmbH
Lise-Meitner-Ring 13
89231 NEU-ULM
Tel. +49 731 20 76 90
Fax +49 731 20 76 96 20
E-Mail: info@bibus.de
www.bibus.de

SAUER BIBUS GmbH
Lise-Meitner-Ring 13
89231 NEU-ULM
Phone +49 731 1896-0
Fax +49 713 1896-199
E-Mail: info@sauerbibus.de
www.sauerbibus.de

WESER-PUMPEN GmbH
Güterstrasse 10
27777 GANDERKESEE
Phone +49 4222 947 510-0
Fax +49 4222 947 510-10
E-Mail: info@weser-pumpen.de
www.weser-pumpen.de

Great Britain

BIBUS (UK) Ltd
20 Soho Mills
WOOBURN GREEN
Bucks
HP10 0PF
Phone +44 1628 533 300
Fax +44 1628 533 377
E-Mail: info@bibus.co.uk
www.bibus.co.uk

Hungary

BIBUS Kft
Újhegyi út 2
1103 BUDAPEST
Phone +36 1 265 27 33
Fax +36 1 264 89 00
E-Mail: info@bibus.hu
www.bibus.hu

India

BIBUS Horizon Mechatronics &
Automations Pvt. Ltd
C-2/1, KSSIDC Industrial Area
Yelahanka
BANGALORE - 560 064
Phone +91 80 28562008
E-Mail: info@bibus.in
www.bibus.in

Italy

BIBUS Italia Srl
Via Tosarelli, 334/2
40055 VILLANOVA DI CASTENASO
(BO)
Phone +39 051 893958
Fax +39 051 0822575
E-Mail: info@bibus.it
www.bibus.it

Latvia

BIBUS Baltics SIA
Office No. 1.11
Vienibas gatve 109
LV-1058 RIGA
Phone +371 67 63 05 01
Fax +371 67 63 05 02
E-Mail: info@bibusbaltics.eu
www.bibusbaltics.eu

Malaysia

BIBUS Malaysia Sdn. Bhd.
29, Jalan SS15/4
47500 SUBANG JAYA, SELANGOR
Phone +60 3 56 33 55 11
Fax +60 3 56 33 49 92
E-Mail: sales@bibus.my
www.bibus.my

Poland

BIBUS MENOS Sp. z o.o.
ul. Spadochroniarzy 18
80-298 GDANSK
Phone +48 58 660 95 70
Fax +48 58 661 71 32
E-Mail: info@bibusmenos.pl
www.bibusmenos.pl

Portugal

BIBUS Portugal, Lda
Rua Ponte da Pedra, 240 – C4
4470-108 GUEIFÃES - MAIA
Phone +351 22 906 50 50
Fax +351 22 906 50 53
E-Mail: info@bibus.pt
www.bibus.pt

Romania

BIBUS EUROFLUID SRL
Str. Scoala de Inot, Nr. 2B/20
550005 SIBIU
Phone +40 26 920 67 50
Fax +40 26 920 62 75
E-Mail: office@bibuseurofluid.ro
www.bibuseurofluid.ro

BIBUS SES SRL
134/1 Calea Lugojului
307200 GHIRODA, TIMIS
Phone +40 356 446 500
Fax +40 356 446 660
E-Mail: office@bibus.ro
www.bibus.ro

Russia

BIBUS o.o.o.
Zemskaya street 94
198205 SAINT PETERSBURG
Phone +7 812 309 41 51
Fax +7 812 309 41 51
E-Mail: info@bibus.ru
www.bibus.ru

BIBUS o.o.o.
Krasnodonskaya 19/2 Office 12
109386 MOSCOW
Phone +7 499 703 04 42
Fax +7 499 703 04 42
E-Mail: msk@bibus.ru
www.bibus.ru

Slovakia

BIBUS SK s.r.o.
Trnavska 31
949 01 NITRA
Phone +421 37 777 79 11
Fax +421 37 777 79 19
E-Mail: sale@bibus.sk
www.bibus.sk

Slovenia

INOTEH d.o.o.
K Železnici 7
SI-2345 BISTRICA OB DRAVI
Phone +386 2 665 11 31
Fax +386 2 665 20 81
E-Mail: info@inoteh.si
www.inoteh.si

Spain

BIBUS SPAIN, S.L.
Poligono Industrial Porto do Molle
Rua do Arroncal Vial C-Nave 4A
36350 NIGRAN
Phone +34 986 24 72 86
Fax +34 986 20 92 47
E-Mail: info@bibus.es
www.bibus.es

Thailand

BIBUS THAILAND Company Ltd
68/4-5 Moo 4 Tiwanont Road
BANMAI, Muang District
12000 Patumthanee
Phone +66 2 501 26 38-9
Fax +66 2 501 26 40
www.bibus.co.th

CNS Universal Company Ltd
68/4-5 Moo 4 Tiwanont Road
BANMAI, Muang District
12000 Patumthanee
Phone +66 2 501 26 38-9
Fax +66 2 501 26 40
E-Mail: sale@cns-universal.co.th
www.cns-universal.co.th

Turkey

BIBUS Otomasyon
San. ve Tic. Ltd. Sti.
Ziya Gökalp Mah. Bedrettin Dalan
Bulvarı üzeri
Aykosan Sanayi Çarşısı B
Blok No: 43-44
34490 İkitelli - Başakşehir / ISTANBUL
Phone +90 212 293 82 00
Fax +90 212 249 88 34
E-Mail: info@bibus.com.tr
www.bibus.com.tr

Ukraine

BIBUS Ukraine TOV
1B, Kyivska Street
08161 TARASIVKA
Kyiv-Svyatoslyn District
Kyiv Region
Phone +380 44 545 44 04
Fax +380 44 545 54 83
E-Mail: info@bibus.ua
www.bibus.ua

Vietnam

BIBUS Vietnam Co., Ltd.
Lot No: GD2-4
Ngoc Hoi industrial zone
Ngoc Hoi village, Thanh Tri District
HANOI
Phone +84 4 356 834 30
Fax +84 4 356 834 29
E-Mail: info@bibus.vn
www.bibus.vn

BIBUS Vietnam Co., Ltd.
80 NGUYEN Tât Thanh Street
District 4
754004 Ho Chi Minh City
Phone +84 4 626 164 11
Fax +84 4 626 164 39
E-Mail: info@bibus.vn
www.bibus.vn

Materials

Switzerland

BIBUS METALS AG
Allmendstrasse 26
8320 FEHRALTORF
Phone +41 44 877 54 11
Fax +41 44 877 54 19
E-Mail: info@bibusmetals.ch
www.bibusmetals.ch

SAUTER EDELSTAHL AG
Allmendstrasse 26
8320 FEHRALTORF
Phone +41 44 877 56 11
Fax +41 44 877 56 19
E-Mail: info@sedag.ch
www.sedag.ch

China / Hongkong

BIBUS METALS Ltd.
22nd Floor, Tai Yau Building
181 Johnston Road
Wanchai
HONGKONG

BIBUS METALS (Shenzhen) Ltd.
807, Block A, Aerospace Building
No. 4019 ShenNan Road
518048 SHENZHEN
Phone +86 755 825 042 57
Fax +86 755 825 042 54
E-Mail: info@bibusmetals.cn
www.bibusmetals.cn

Czech Republic

BIBUS METALS s.r.o.
Videnska 125
619 00 BRNO
Phone +420 547 125 383
Fax +420 547 125 380
E-Mail: info@bibusmetals.cz
www.bibusmetals.cz

France

BIBUS METALS GmbH
233, rue des Frères Voisin
69970 CHAPONNAY
Phone +49 201 522 920
Fax +49 201 522 9240
E-Mail: info@bibusmetals.de
www.bibusmetals.de

Germany

BIBUS METALS GmbH
Kruppstrasse 82-100
45145 ESSEN
Phone +49 201 522 920
Fax +49 201 522 9240
E-Mail: info@bibusmetals.de
www.bibusmetals.de

BIBUS METALS GmbH
Nördliche Waldstrasse 2
68753 WAGHÄUSEL/KIRRLACH
Phone +49 201 522 920
Fax +49 201 522 9240
E-Mail: info@bibusmetals.de
www.bibusmetals.de

SAUTER EDELSTAHL AG
Mittelmatten 1
79206 BREISACH AM RHEIN
Phone +49 7664 4036 3210
Fax +49 7664 4036 3220
E-Mail: info@sedag.de
www.sedag.de

Great Britain

BIBUS METALS Ltd.
Three Mills Trading Estate
Old School Lane
HR1 1EX
HEREFORD
Phone +44 1432 842 904
Fax +44 1432 277 173
E-Mail: info@bibusmetals.co.uk
www.bibusmetals.co.uk

Hungary

BIBUS METALS Kft.
Gyömroi út 128
1103 BUDAPEST
Phone +36 1 431 89 10
Fax +36 1 431 89 11
E-Mail: info@bibusmetals.hu
www.bibusmetals.hu

Poland

BIBUS METALS Sp.z o.o.
ul. Piaskowa 31
62-070 DABROWA
Phone +48 61 641 40 20
Fax +48 61 641 40 21
E-Mail: info@bibusmetals.com.pl
www.bibusmetals.com.pl

Romania

BIBUS METALS S.R.L.
Sat Paulesti Nr. 24
107400 PAULESTI, PRAHOVA
Phone +40 244 224 002
Fax +40 244 224 005
E-Mail: info@bibusmetals.ro
www.bibusmetals.ro

Russia

BIBUS METALS o.o.o.
Izmailovsky prospect 2A
190005 SAINT PETERSBURG
Phone +7 812 928 80 39
Fax +7 812 575 12 75
E-Mail: info@bibusmetals.ru
www.bibusmetals.ru

Ukraine

BIBUS METALS TOV
1B, Kyivska Street
08161 TARASIVKA
Kyiv-Svyatoshyn District
Kyiv Region
Phone +380 44 227 83 73
Fax +380 44 545 54 82
E-Mail: info@bibusmetals.com.ua
www.bibusmetals.com.ua

Electronics

Switzerland

MPL AG Elektronik-Unternehmen
Täferstrasse 20
5405 BADEN-DÄTTWIL
Phone +41 56 483 34 34
Fax +41 56 493 30 20
E-Mail: info@mpl.ch
www.mpl.ch

MPI Distribution AG
Täferstrasse 20
5405 BADEN-DÄTTWIL
Phone +41 56 483 34 44
Fax +41 56 493 48 60
E-Mail: info@mpi.ch
www.mpi.ch

ELSOFT AG

Täferstrasse 20
5404 BADEN-DÄTTWIL
Phone +41 56 483 34 64
Fax +41 56 493 30 20
E-Mail: info@elsoft.ch
www.elsoft.ch

BIBUS HOLDING AG

Allmendstrasse 26
8320 FEHRALTORF
SWITZERLAND

Phone +41 44 877 58 11

Fax +41 44 877 58 19

www.bibus-holding.ch